

Wafer Pattern Butterfly Valve - Aluminium Bronze Body

Wafer to suit **PN10/16 & ANSI 150*** Flanges, Aluminium Bronze Body & Disc, NBR Liner,
Lever Operated 2" to 8", Gearbox Operated 10" & 12"

* Please specify on order

Pressure / Temperature Specifications	
Pressure	PN16
Temperature	-25°C to 100°C

Material Specifications		
1	Body	B1480-C958.00 Aluminium Bronze
2	Disc	B1480-C958.00 Aluminium Bronze
3	Seat	NBR
4	Upper Shaft	430 Stainless Steel
5	Lower Shaft	430 Stainless Steel
6	Bush	Bronze
7	Shaft Packing	NBR
8	Plug Packing	Aluminium
9	Threaded Plug	Zinc Plated Steel
10	Stop Ring	Steel
11	Upper Flange	IXEF 2" to 6" Aluminium 8" to 10"
12	Screw	Zinc Plated Steel
	Lever	Aluminium

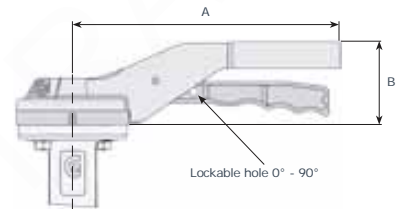
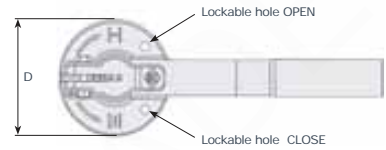


KV Rates										
Opening (°)>	10	15	20	25	30	35	40	45	50	
2"	-	0.2	0.9	3.0	6.1	9.9	15.0	21.0	29.0	
2½"	-	0.6	2.5	6.1	11.0	18.0	27.0	38.0	51.0	
3"	-	1.8	5.2	12.0	21.0	33.0	49.0	68.0	91.0	
4"	-	2.4	9.5	22.0	39.0	60.0	88.0	121.0	159.0	
5"	-	4.2	15.0	38.0	69.0	105.0	148.0	199.0	262.0	
6"	-	5.6	23.0	61.0	112.0	166.0	228.0	303.0	394.0	
8"	-	14.0	110.0	125.0	211.0	303.0	405.0	528.0	679.0	
10"	21.0	80.0	156.0	225.0	310.0	433.0	591.0	774.0	988.0	
12"	49.0	188.0	280.0	354.0	381.0	521.0	742.0	987.0	1252.0	
Opening (°)>	55	60	65	70	75	80	85	90		
2"	39.0	53.0	72.0	92.0	109.0	115.0	115.0	116.0		
2½"	68.0	90.0	121.0	161.0	209.0	240.0	253.0	257.0		
3"	119.0	156.0	209.0	283.0	381.0	457.0	502.0	508.0		
4"	207.0	269.0	357.0	487.0	662.0	815.0	906.0	925.0		
5"	338.0	434.0	565.0	768.0	1059.0	1303.0	1457.0	1492.0		
6"	505.0	641.0	820.0	1097.0	1507.0	1861.0	2008.0	2168.0		
8"	863.0	1085.0	1364.0	1788.0	2425.0	3043.0	3642.0	3838.0		
10"	1247.0	1591.0	2065.0	2715.0	3625.0	4768.0	4890.0	5010.0		
12"	1571.0	2059.0	2807.0	3744.0	4935.0	6831.0	8230.0	9233.0		

Torque Figures (Nm)										
Size	2"	2½"	3"	4"	5"	6"	8"	10"	12"	
0 Bar	11.0	11.0	20.0	40.0	48.0	55.0	100.0	160.0	260.0	
6 Bar	12.0	16.0	30.0	43.0	52.0	60.0	107.0	175.0	270.0	
10 Bar	13.0	16.0	36.0	45.0	52.0	84.0	180.0	220.0	320.0	
16 Bar	15.0	18.0	40.0	48.0	70.0	90.0	210.0	320.0	390.0	

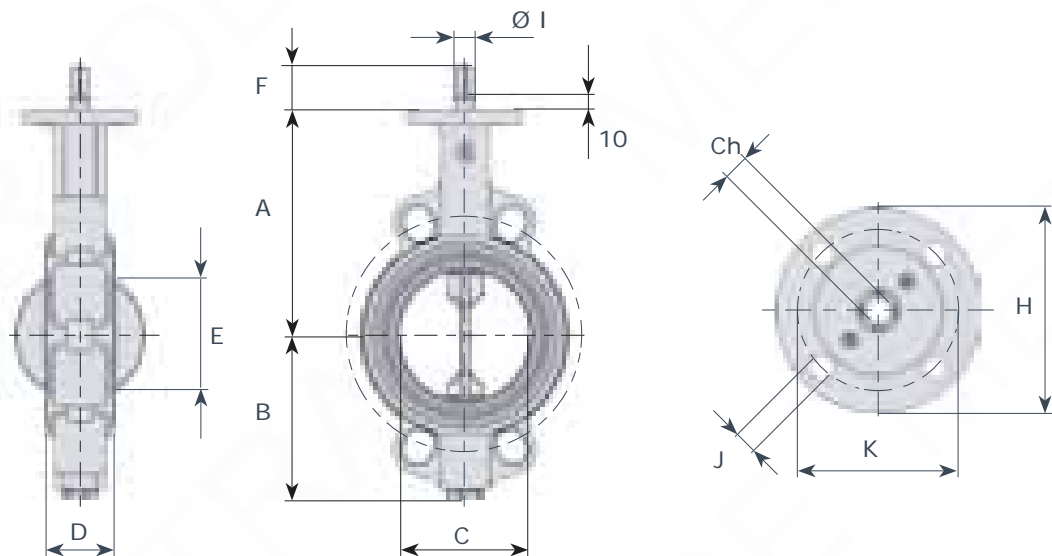
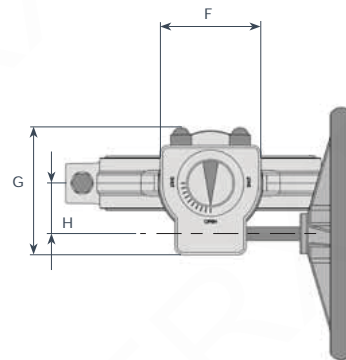
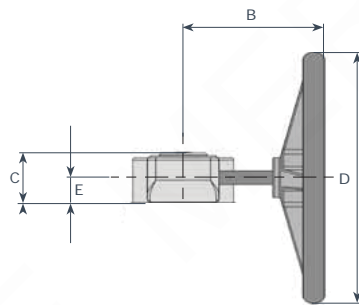
Handle Dimensions

Size	2"	2½"	3"	4"	5"	6"	8"
A	220	220	220	220	275	275	340
B	67	67	67	67	67	67	76
D	93	93	93	93	93	93	125



Gearbox Dimensions

	10"	12"
B	240	240
C	56	56
D	300	300
E	33	33
F	120	120
G	150	150
H	60	60



Dimensions

Size	2"	2½"	3"	4"	5"	6"	8"	10"	12"
A	138	144	158	173	186	202	240	270	300
B	81	98	110	128	140	155	190	220	247
C	55	68	81	101	126	150	200	250	298
D	43	46	46	52	56	56	60	68	78
E	35	50	67	87	113	140	191	241	289
F	34	34	34	34	34	34	38	38	38
ØI	14	14	14	16	18	18	22	30	30
Ch	11	11	11	11	14	14	17	22	22
H	90	90	90	90	90	90	125	125	125
K	70	70	70	70	70	70	102	102	102
J	9	9	9	9	9	9	11	11	11
ISO	F07	F07	F07	F07	F07	F07	F10	F10	F10
Kg	4.3	4.6	6.6	7.85	9.75	11.2	15.0	25.0	35.0